

DC3300

Reservdelar

Spare parts

Ersatzteile

Pieces de rechange

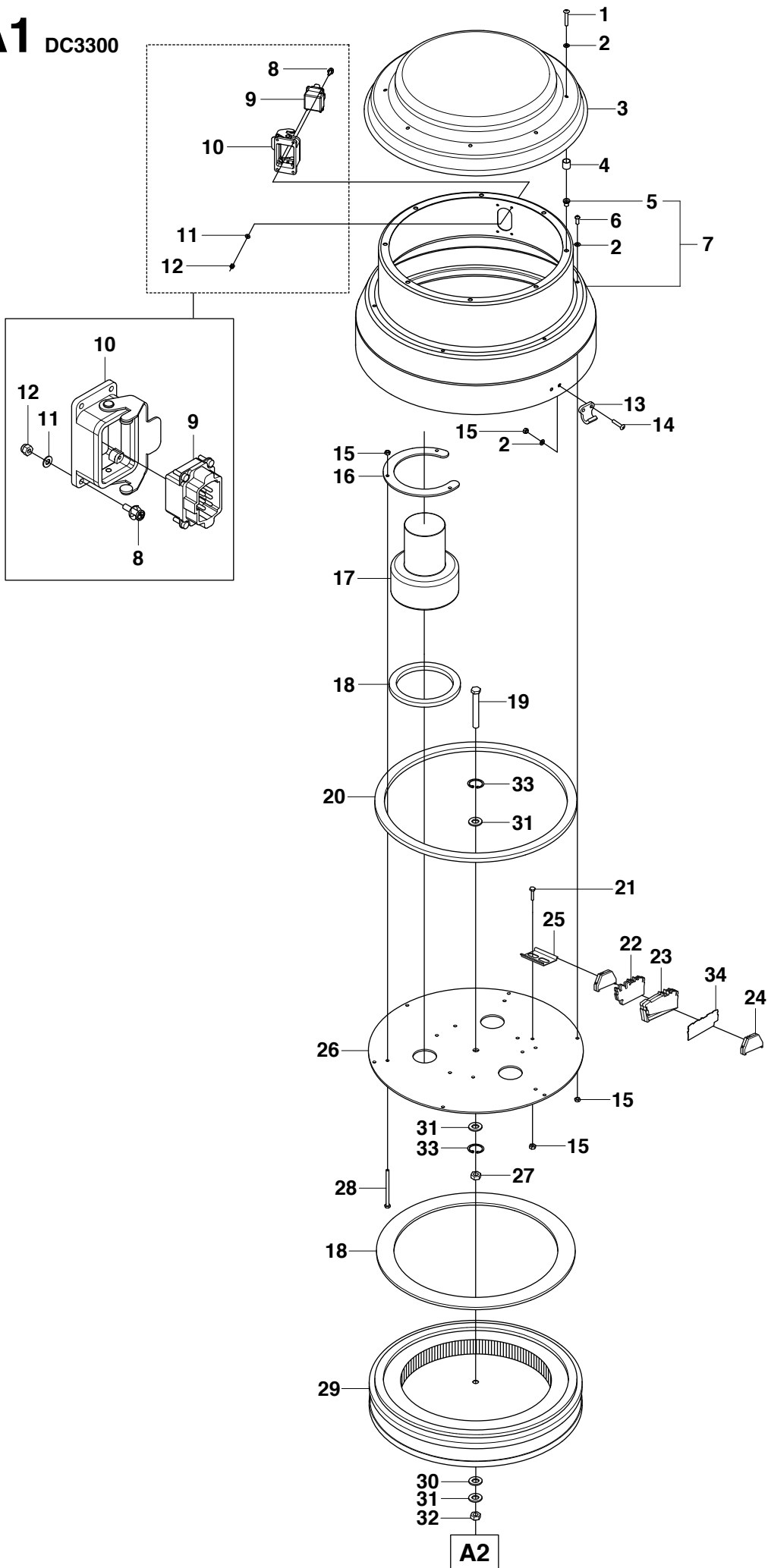
Piezas de repuesto

Ricambi

Peças sobresselente

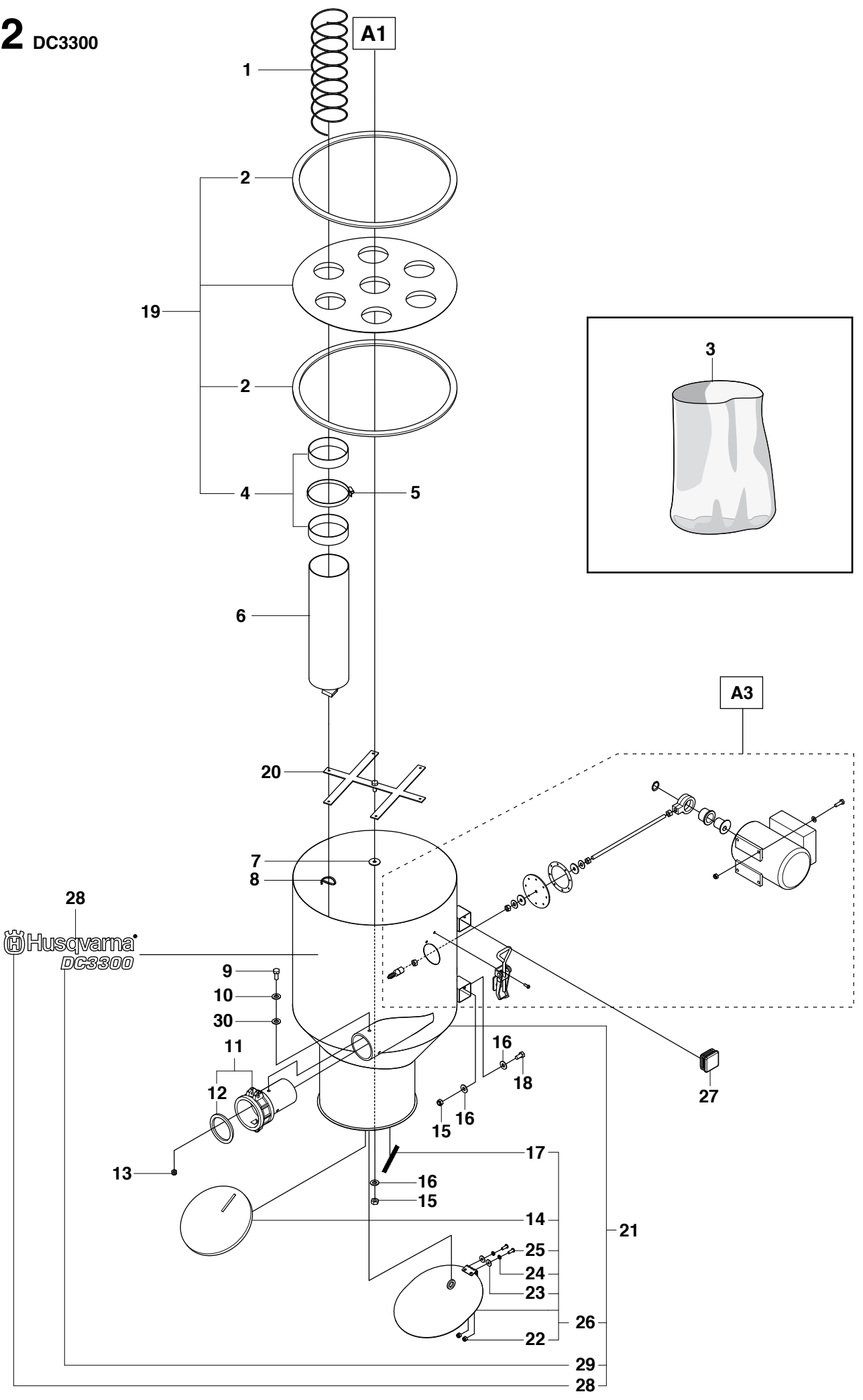
| No. | Pos. | Description | No. | Pos. | Description |
|--------------|-------|------------------|--------------|-------|------------------------|
| 502 54 50-01 | A3 | WHEEL | 522 89 77-01 | B | TERMINAL BLOCK |
| 502 56 87-01 | B | SEAL | 525 48 87-01 | A2 | DC3300 DECAL |
| 502 56 91-01 | A3 | CASTOR WHEEL | 525 48 88-02 | A2 | HUSQVARNA DECAL |
| 502 57 00-02 | A3 | LATCH | 525 48 93-01 | B | DECAL |
| 502 57 02-01 | A3 | STRAP | 541 40 51-78 | A2 A3 | SCREW |
| 502 57 06-01 | A3 | MOTOR | 543 85 00-17 | A2 | TIE STRAP |
| 502 57 13-01 | A3 | DIAPHRAGM | 574 03 53-01 | B | CIRCUIT BREAKER |
| 502 57 14-01 | A3 | RING | 574 30 67-01 | B | PLUG MALE AU |
| 502 57 15-01 | A3 | ROD | 574 62 03-01 | A2 | DUST FLAP |
| 502 57 16-01 | A3 | ROD END SWIVEL | 575 34 39-01 | A2 | CYCLONE |
| 502 57 17-01 | A3 | BOSS | 575 63 13-01 | A3 | ELECTRIC BOX CE |
| 502 57 18-01 | A3 | COUPLING | 575 63 13-02 | A3 | ELECTRIC BOX AU |
| 502 57 19-01 | A3 | BUSHING | 575 63 13-03 | A3 | ELECTRIC BOX CH |
| 502 57 27-01 | A3 | HANDLE BAR | 575 63 14-01 | A3 | ELECTRIC BOX UL |
| 502 53 40-05 | A2 | RUBBER RING | 575 63 15-01 | A3 | CHASSIS |
| 502 56 83-01 | A1 | SEAL | 575 63 21-01 | B | CABLE, CE |
| 502 56 84-04 | A2 | SPRING | 575 63 21-02 | B | CABLE, UL |
| 502 56 84-05 | A2 | SEAL | 575 63 25-01 | B | ELECTRIC BOX, CE |
| 502 56 87-01 | A1 A2 | SEAL | 575 63 25-02 | B | ELECTRIC BOX, UL |
| 502 56 96-04 | A2 | COUPLING | 575 63 26-01 | B | LID ASSY |
| 502 57 00-04 | A1 | HOOK | 575 63 27-01 | B | PLUG AND CABLE MALE UL |
| 502 57 01-01 | A2 | COLLECTION BAG | 575 63 31-01 | B | EXTENSION LEAD, UL |
| 502 57 20-01 | A1 | COVER | 724 12 93-51 | A1 B | SCREW |
| 502 57 23-01 | A1 | HOUSING | 724 33 70-51 | A3 | SCREW |
| 502 57 24-01 | A1 | PLATE | 725 23 29-71 | A3 | SCREW |
| 502 57 25-01 | A1 | BRACKET | 725 23 66-71 | A1 | SCREW |
| 502 57 30-01 | A2 | FILTER | 725 23 72-71 | A3 | SCREW |
| 502 57 32-01 | A1 | FILTER | 725 23 88-51 | A1 | SCREW |
| 504 73 06-02 | A3 | BUSHING KIT | 725 24 93-76 | A2 | SCREW |
| 504 73 09-02 | A2 | PLATE | 725 25 40-71 | A3 | SCREW |
| 504 73 35-02 | A2 | RACK | 725 25 54-71 | A1 | SCREW |
| 504 73 86-01 | B | SWITCH | 728 53 27-01 | A3 | SCREW |
| 504 73 87-01 | B | BUTTON BODY | 731 23 20-01 | A3 | NUT |
| 504 73 88-01 | B | PUSH BUTTON | 731 23 22-01 | A1 | NUT |
| 504 73 89-01 | B | BUTTON BODY | 732 25 12-01 | A1 B | NUT |
| 504 73 99-01 | A1 B | CLAMP | 732 25 14-01 | A3 | NUT |
| 504 74 90-01 | B | EMI FILTER | 732 25 16-01 | A1 A2 | |
| 504 75 02-01 | A2 | SCREW | | A3 B | NUT |
| 504 75 03-01 | B | PLUG MALE CH | 732 25 18-01 | A2 | NUT |
| 504 75 14-01 | A3 | WASHER | 732 25 20-01 | A2 | NUT |
| 504 75 16-01 | B | PLUG MALE CE | 732 25 22-01 | A1 A3 | NUT |
| 504 75 64-01 | A1 | MOTOR | 734 11 36-01 | B | WASHER |
| 504 75 73-01 | A1 | TERMINAL BLOCK | 734 11 36-01 | A1 B | WASHER |
| 504 75 89-01 | A1 | SCREW | 734 11 52-01 | A3 B | WASHER |
| 504 75 90-01 | A1 A3 | SCREW | 734 11 52-01 | A1 | WASHER |
| 504 75 91-01 | A1 B | SCREW | 734 11 54-41 | A3 | WASHER |
| 504 75 97-01 | A2 A3 | CAP | 734 11 54-41 | A2 B | WASHER |
| 510 43 17-01 | B | CABLE GLAND | 734 11 63-01 | A2 | WASHER |
| 510 43 18-01 | B | COUNTER NUT | 734 11 63-60 | A2 | WASHER |
| 516 06 01-01 | A1 A2 | | 734 11 72-01 | A2 | WASHER |
| | A3 | WASHER | 734 11 74-41 | A3 | WASHER |
| 516 06 04-01 | A1 | HOUSING | 734 11 78-01 | A3 | WASHER |
| 516 06 05-01 | B | CONNECTOR FEMALE | 734 11 80-41 | A1 | WASHER |
| 516 06 06-01 | B | HOUSING | 735 11 53-01 | A2 | SPRING WASHER |
| 516 06 07-01 | B | CONNECTOR FEMALE | 735 11 78-01 | A1 | WASHER |
| 516 06 11-01 | B | DIN RAIL | 735 21 53-01 | B | WASHER |
| 516 06 12-01 | B | CABLE GLAND | 735 31 26-00 | A3 | CIRCLIP |
| 516 06 13-01 | B | HOOD | 735 31 30-00 | A3 | CIRCLIP |
| 516 06 14-01 | A1 | CONNECTOR MALE | | | |
| 516 06 18-01 | B | CABLE GLAND | | | |
| 521 88 66-01 | A1 A3 | RIVET | | | |
| 522 66 03-01 | B | CABLE GLAND | | | |
| 522 74 66-01 | A1 | TUBE | | | |
| 522 74 69-01 | A1 B | TERMINAL BLOCK | | | |
| 522 74 70-01 | A1 | RAIL | | | |
| 522 74 72-01 | A2 | SPRING | | | |
| 522 74 74-01 | A2 | SEAL KIT | | | |
| 522 74 75-01 | A2 | HOSE CLAMP | | | |
| 522 86 89-01 | A1 | COVER PLATE | | | |
| 522 86 89-02 | B | COVER PLATE | | | |

A1 DC3300



| Pos | Part no. | Description | Quantity | Notes |
|-----|--------------|----------------|----------|-------|
| 1 | 504 75 91-01 | SCREW | 8 | |
| 2 | 734 11 52-01 | WASHER | 18 | |
| 3 | 502 57 20-01 | COVER | 1 | |
| 4 | 522 74 66-01 | TUBE | 8 | |
| 5 | 521 88 66-01 | RIVET | 8 | |
| 6 | 504 75 89-01 | SCREW | 6 | |
| 7 | 502 57 23-01 | HOUSING | 1 | |
| 8 | 724 12 93-51 | SCREW | 4 | |
| 9 | 516 06 14-01 | CONNECTOR MALE | 1 | |
| 10 | 516 06 04-01 | HOUSING | 1 | |
| 11 | 734 11 36-01 | WASHER | 4 | |
| 12 | 732 25 12-01 | NUT | 4 | |
| 13 | 502 57 00-04 | HOOK | 2 | |
| 14 | 504 75 90-01 | SCREW | 4 | |
| 15 | 732 25 16-01 | NUT | 21 | |
| 16 | 502 57 25-01 | BRACKET | 3 | |
| 17 | 504 75 64-01 | MOTOR | 3 | |
| 18 | 502 56 83-01 | SEAL | 2 | |
| 19 | 725 25 54-71 | SCREW | 1 | |
| 20 | 502 56 87-01 | SEAL | 1 | |
| 21 | 725 23 66-71 | SCREW | 2 | |
| 22 | 504 75 73-01 | TERMINAL BLOCK | 1 | |
| 23 | 522 74 69-01 | TERMINAL BLOCK | 2 | |
| 24 | 504 73 99-01 | CLAMP | 2 | |
| 25 | 522 74 70-01 | RAIL | 1 | |
| 26 | 502 57 24-01 | PLATE | 1 | |
| 27 | 731 23 22-01 | NUT | 1 | |
| 28 | 725 23 88-51 | SCREW | 9 | |
| 29 | 502 57 32-01 | FILTER | 1 | |
| 30 | 516 06 01-01 | WASHER | 1 | |
| 31 | 734 11 80-41 | WASHER | 3 | |
| 32 | 732 25 22-01 | NUT | 1 | |
| 33 | 735 11 78-01 | WASHER | 2 | |
| 34 | 522 86 89-01 | COVER PLATE | 1 | |

A2 DC3300

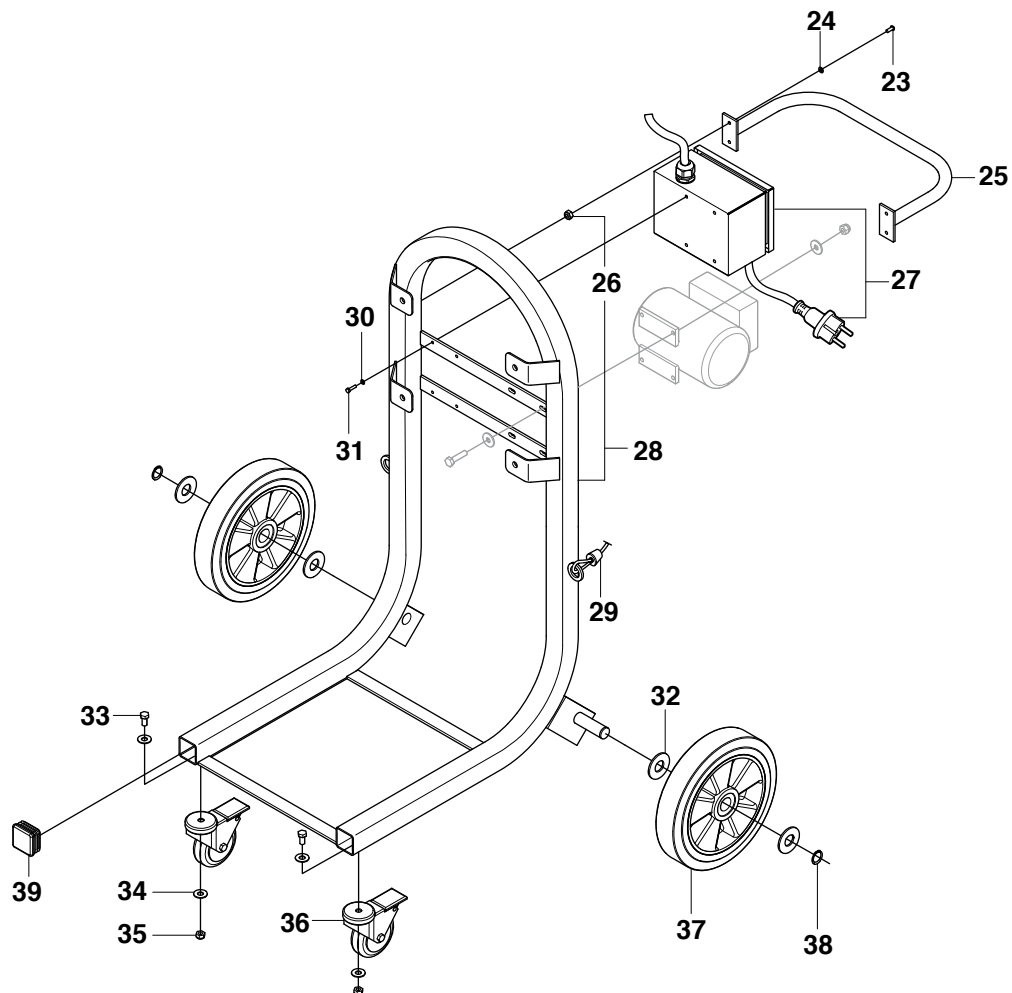
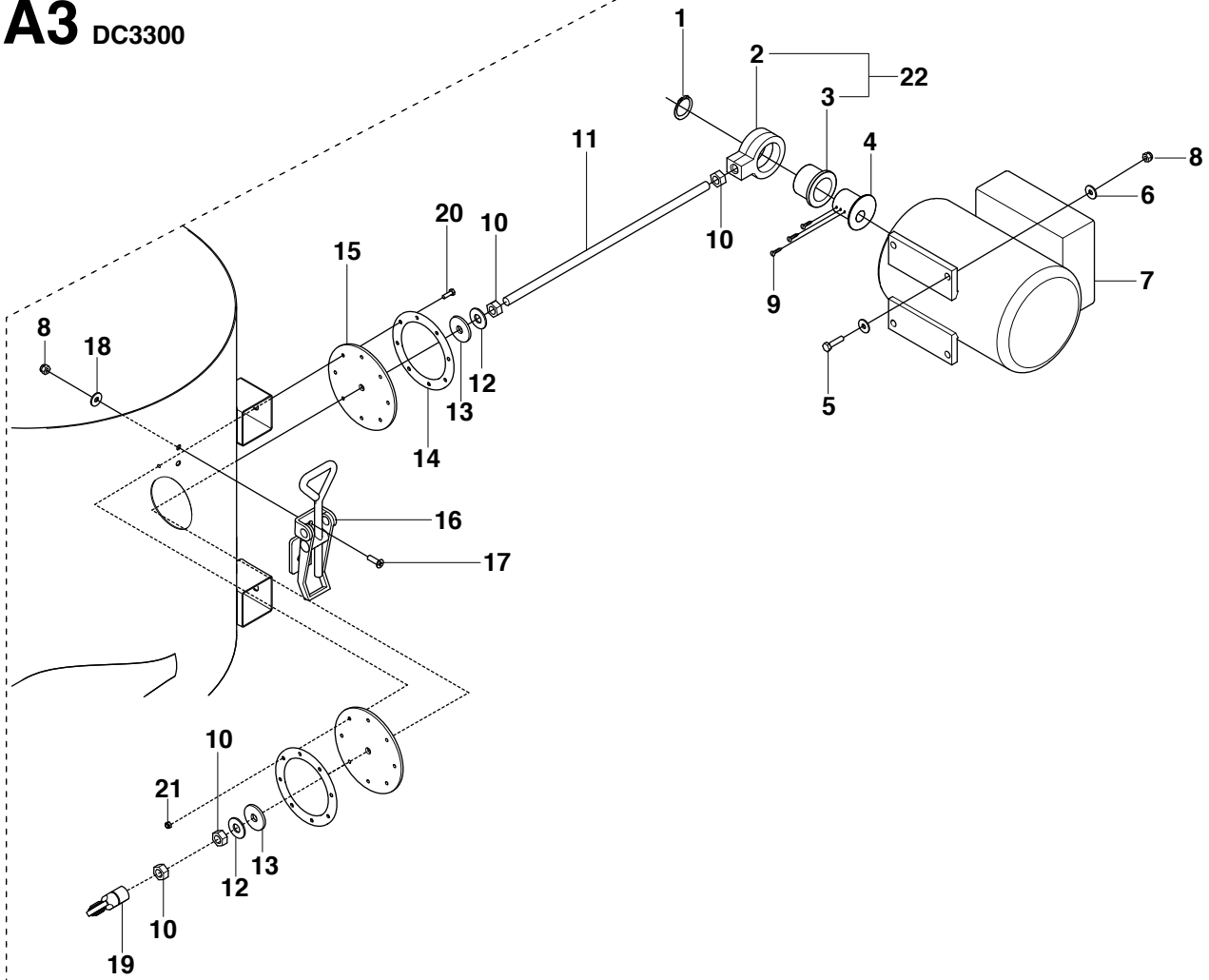


DC3300

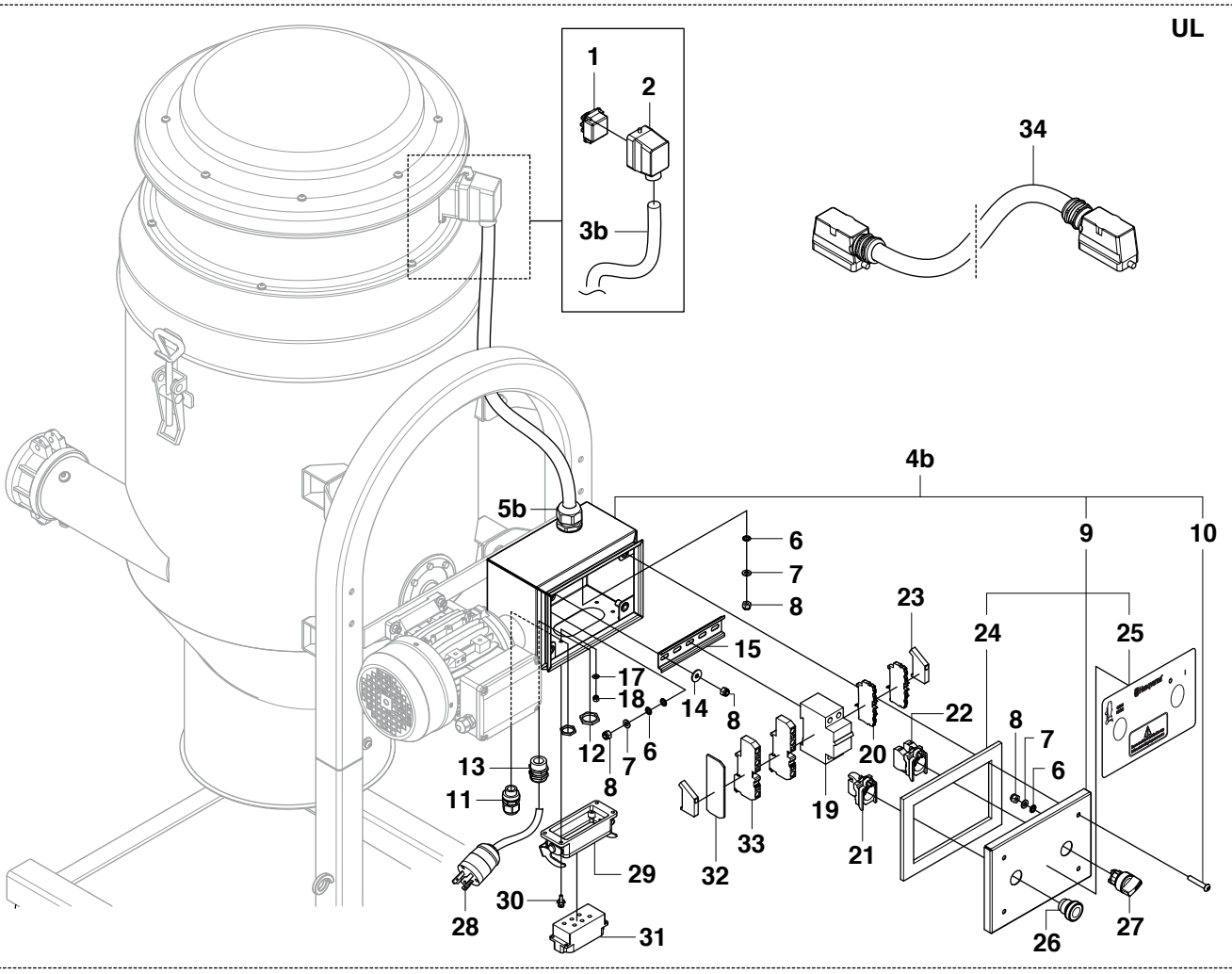
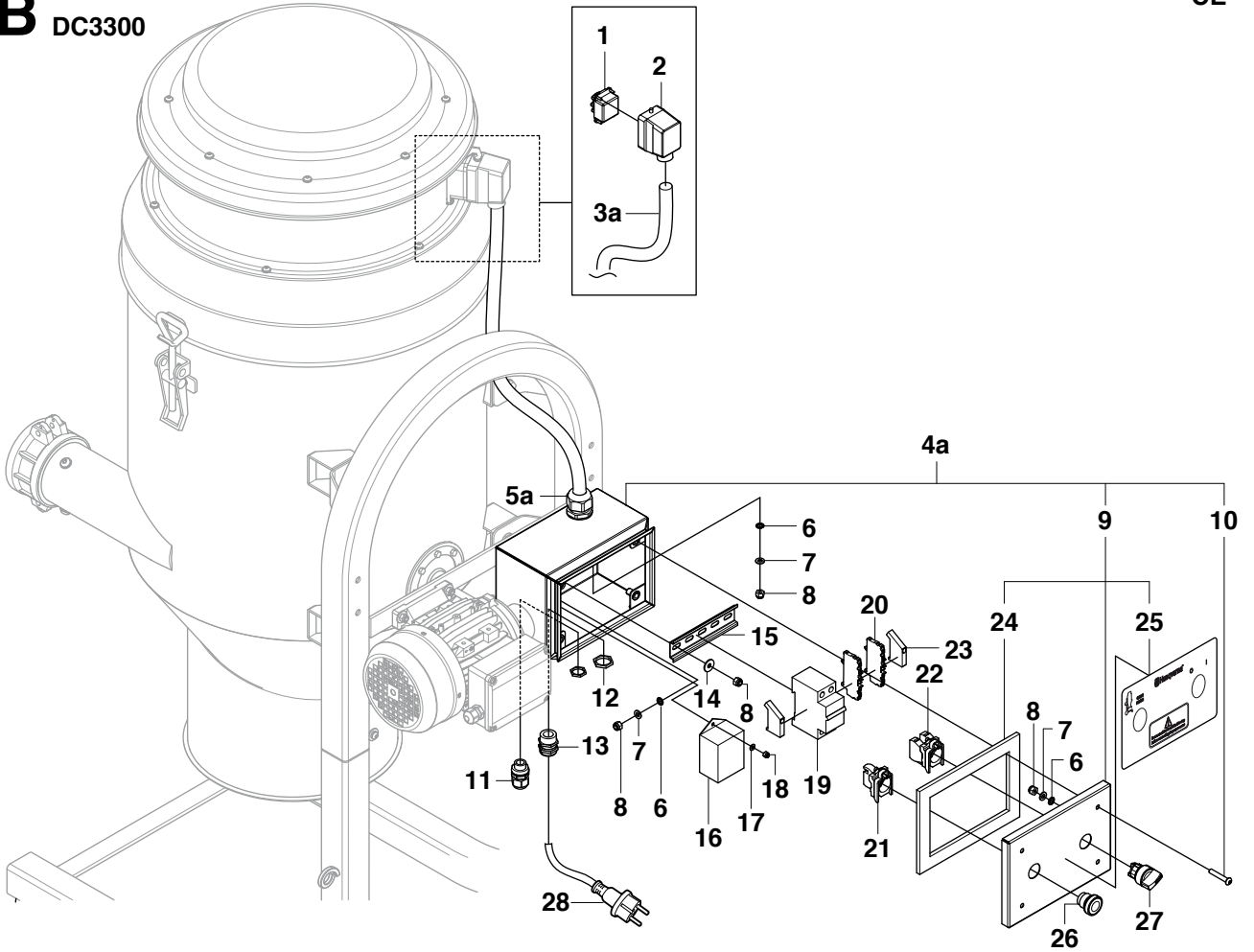
Page A2

| Pos | Part no. | Description | Quantity | Notes |
|------------|-----------------|--------------------|-----------------|--------------|
| 1 | 522 74 72-01 | SPRING | 7 | |
| 2 | 502 56 87-01 | SEAL | 2 | |
| 3 | 502 57 01-01 | COLLECTION BAG | 1 | 200 PCS |
| 4 | 522 74 74-01 | SEAL KIT | 1 | |
| 5 | 522 74 75-01 | HOSE CLAMP | 7 | |
| 6 | 502 57 30-01 | FILTER | 7 | |
| 7 | 516 06 01-01 | WASHER | 1 | |
| 8 | 543 85 00-17 | TIE STRAP | 8 | |
| 9 | 504 75 02-01 | SCREW | 2 | |
| 10 | 734 11 63-01 | WASHER | 2 | |
| 11 | 502 56 96-04 | COUPLING | 1 | |
| 12 | 502 53 40-05 | RUBBER RING | 1 | |
| 13 | 732 25 18-01 | NUT | 2 | |
| 14 | 502 56 84-05 | SEAL | 1 | |
| 15 | 732 25 20-01 | NUT | 5 | |
| 16 | 734 11 72-01 | WASHER | 9 | |
| 17 | 502 56 84-04 | SPRING | 1 | |
| 18 | 725 24 93-76 | SCREW | 4 | |
| 19 | 504 73 09-02 | PLATE | 1 | |
| 20 | 504 73 35-02 | RACK | 1 | |
| 21 | 575 34 39-01 | CYCLONE | 1 | |
| 22 | 732 25 16-01 | NUT | 2 | |
| 23 | 734 11 54-41 | WASHER | 2 | |
| 24 | 735 11 53-01 | SPRING WASHER | 2 | |
| 25 | 541 40 51-78 | SCREW | 2 | |
| 26 | 574 62 03-01 | DUST FLAP | 1 | |
| 27 | 504 75 97-01 | CAP | 4 | |
| 28 | 525 48 88-02 | HUSQVARNA DECAL | 1 | |
| 29 | 525 48 87-01 | DC3300 DECAL | 1 | |
| 30 | 734 11 63-60 | WASHER | 2 | |

A3 DC3300



| Pos | Part no. | Description | Quantity | Notes |
|-----|--------------|-----------------|----------|-------|
| 1 | 735 31 30-00 | CIRCLIP | 1 | |
| 2 | 502 57 18-01 | COUPLING | 1 | |
| 3 | 502 57 19-01 | BUSHING | 1 | |
| 4 | 502 57 17-01 | BOSS | 1 | |
| 5 | 725 23 72-71 | SCREW | 4 | |
| 6 | 734 11 54-41 | WASHER | 8 | |
| 7 | 502 57 06-01 | MOTOR | 1 | |
| 8 | 732 25 16-01 | NUT | 8 | |
| 9 | 728 53 27-01 | SCREW | 3 | |
| 10 | 731 23 20-01 | NUT | 4 | |
| 11 | 502 57 15-01 | ROD | 1 | |
| 12 | 734 11 74-41 | WASHER | 2 | |
| 13 | 516 06 01-01 | WASHER | 2 | |
| 14 | 502 57 14-01 | RING | 2 | |
| 15 | 502 57 13-01 | DIAPHRAGM | 2 | |
| 16 | 502 57 00-02 | LATCH | 2 | |
| 17 | 724 33 70-51 | SCREW | 4 | |
| 18 | 734 11 54-41 | WASHER | 4 | |
| 19 | 502 57 16-01 | ROD END SWIVEL | 1 | |
| 20 | 725 23 29-71 | SCREW | 8 | |
| 21 | 732 25 14-01 | NUT | 8 | |
| 22 | 504 73 06-02 | BUSHING KIT | 1 | |
| 23 | 504 75 90-01 | SCREW | 4 | |
| 24 | 734 11 52-01 | WASHER | 4 | |
| 25 | 502 57 27-01 | HANDLE BAR | 1 | |
| 26 | 521 88 66-01 | RIVET | 4 | |
| 27a | 575 63 13-01 | ELECTRIC BOX CE | 1 | |
| 27b | 575 63 13-02 | ELECTRIC BOX AU | 1 | |
| 27c | 575 63 13-03 | ELECTRIC BOX CH | 1 | |
| 27d | 575 63 14-01 | ELECTRIC BOX UL | 1 | |
| 28 | 575 63 15-01 | CHASSIS | 1 | |
| 29 | 502 57 02-01 | STRAP | 1 | |
| 30 | 734 11 54-41 | WASHER | 6 | |
| 31 | 541 40 51-78 | SCREW | 4 | |
| 32 | 504 75 14-01 | WASHER | 4 | |
| 33 | 725 25 40-71 | SCREW | 2 | |
| 34 | 734 11 78-01 | WASHER | 4 | |
| 35 | 732 25 22-01 | NUT | 2 | |
| 36 | 502 56 91-01 | CASTOR WHEEL | 2 | |
| 37 | 502 54 50-01 | WHEEL | 2 | |
| 38 | 735 31 26-00 | CIRCLIP | 2 | |
| 39 | 504 75 97-01 | CAP | 2 | |



| Pos | Part no. | Description | Quantity | Notes |
|-----|--------------|------------------------|----------------|-------|
| 1 | 516 06 05-01 | CONNECTOR FEMALE | 1 | |
| 2 | 516 06 13-01 | HOOD | 1 | |
| 3a | 575 63 21-01 | CABLE, CE | 1 | |
| 3b | 575 63 21-02 | CABLE, UL | 1 | |
| 4a | 575 63 25-01 | ELECTRIC BOX, CE | 1 | |
| 4b | 575 63 25-02 | ELECTRIC BOX, UL | 1 | |
| 5a | 516 06 18-01 | CABLE GLAND | 1 | CE |
| 5b | 516 06 12-01 | CABLE GLAND | 1 | UL |
| 6 | 735 21 53-01 | WASHER | 4 (CE),5 (UL) | |
| 7 | 734 11 52-01 | WASHER | 3 | |
| 8 | 732 25 16-01 | NUT | 5 | |
| 9 | 575 63 26-01 | LID ASSY | 1 | |
| 10 | 504 75 91-01 | SCREW | 4 | |
| 11 | 522 66 03-01 | CABLE GLAND | 1 | |
| 12 | 510 43 18-01 | COUNTER NUT | 1 | |
| 13 | 510 43 17-01 | CABLE GLAND | 1 | |
| 14 | 734 11 54-41 | WASHER | 2 | |
| 15 | 516 06 11-01 | DIN RAIL | 1 | |
| 16 | 504 74 90-01 | EMI FILTER | 1 | |
| 17 | 734 11 36-01 | WASHER | 2 (CE), 4 (UL) | |
| 18 | 732 25 12-01 | NUT | 2 (CE), 4 (UL) | |
| 19 | 574 03 53-01 | CIRCUIT BREAKER | 1 | |
| 20 | 522 74 69-01 | TERMINAL BLOCK | 2 | |
| 21 | 504 73 89-01 | BUTTON BODY | 1 | |
| 22 | 504 73 87-01 | BUTTON BODY | 1 | |
| 23 | 504 73 99-01 | END CLAMP | 2 | |
| 24 | 502 56 87-01 | SEAL | 1 | |
| 25 | 525 48 93-01 | DECAL | 1 | |
| 26 | 504 73 88-01 | PUSH BUTTON | 1 | |
| 27 | 504 73 86-01 | SWITCH | 1 | |
| 28a | 504 75 16-01 | PLUG MALE CE | 1 | |
| 28b | 574 30 67-01 | PLUG MALE AU | 1 | |
| 28c | 504 75 03-01 | PLUG MALE CH | 1 | |
| 28d | 575 63 27-01 | PLUG AND CABLE MALE UL | 1 | |
| 29 | 516 06 06-01 | HOUSING | 1 | |
| 30 | 724 12 93-51 | SCREW | 4 | |
| 31 | 516 06 07-01 | CONNECTOR FEMALE | 1 | |
| 32 | 522 86 89-02 | COVER PLATE | 1 | |
| 33 | 522 89 77-01 | TERMINAL BLOCK | 2 | |
| 34 | 575 63 31-01 | EXTENSION LEAD, UL | 1 | |